

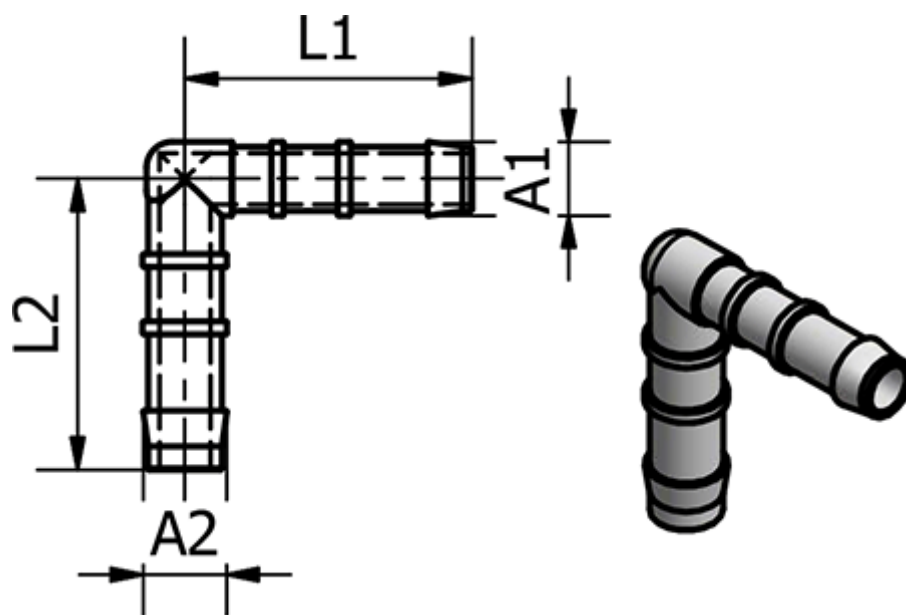
Data Sheet



Article number: 58634818

Description: Tube Connector 34.818, $\text{Ø}19/\text{Ø}19$
Angle

Measures



Ext. Hose Diameter A1 = 19

Ext. Hose Diameter A2 = 19

L1 = 43.5

L2 = 46